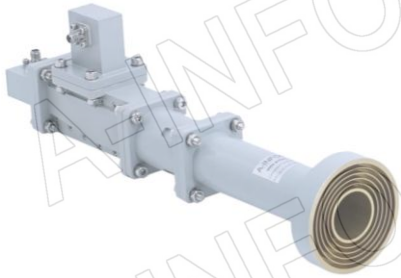


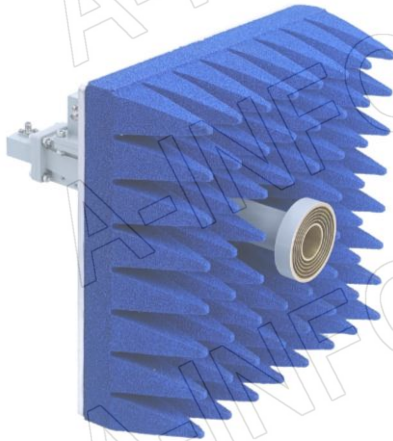
For reference only. See data sheet for the detailed specifications.

## Technical Specification

LB-ACH-90-10-T16-C-SF



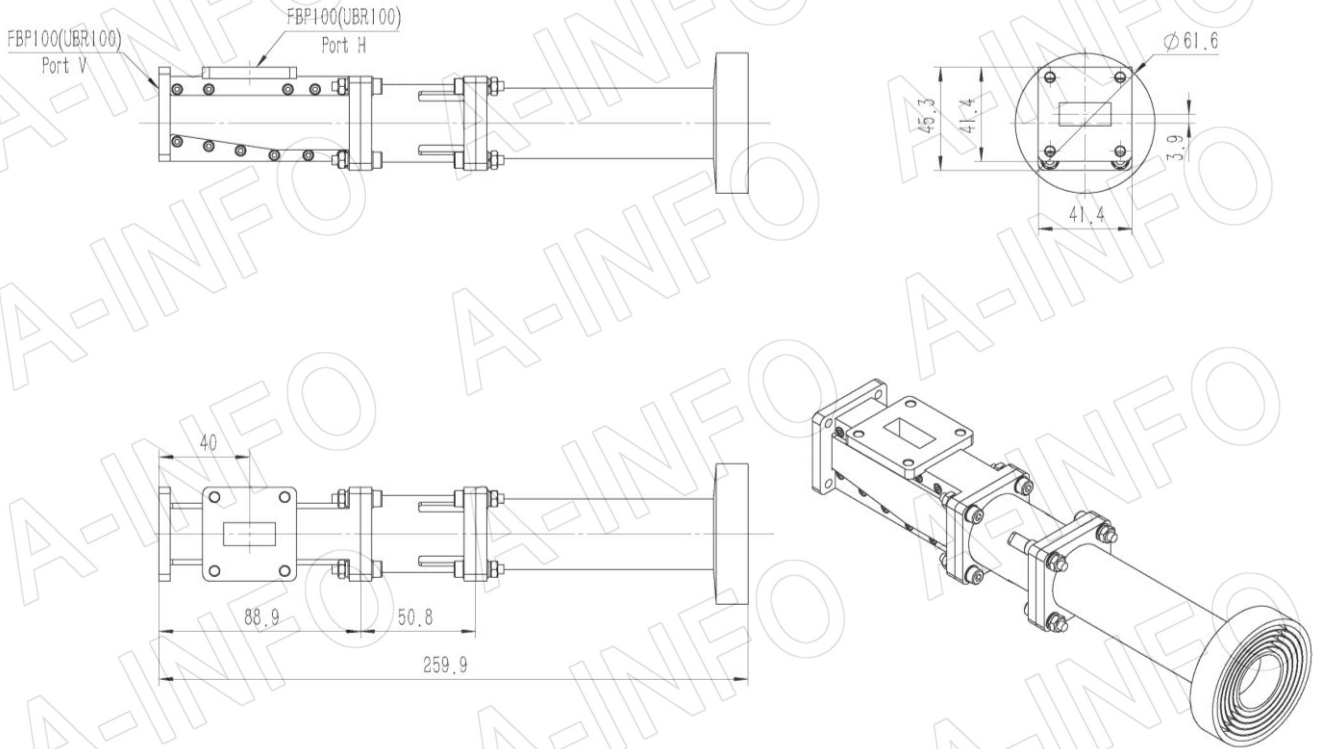
LB-ACH-90-10-T16-C-SF-A1



Frequency Range(GHz)	8.9 – 11.7	
Waveguide	WR90	
Gain(dBi)	10 Typ.	
Polarization	Dual Linear	
3dB Beamwidth(deg)	E Plane:	53 Typ.
	H Plane:	55 Typ.
10dB Beamwidth(deg)	E Plane:	99 Typ.
	H Plane:	102Typ.
Cross Pol. Isolation(dB)	45 Typ.	
Port to Port Isolation(dB)	50 Typ. ; 40 Min.	
VSWR	A Type:	1.40:1 Typ.
	C Type:	1.50:1 Typ.
Output	A Type:	FBP100(UBR100)
	C Type:	SMA-Female or N-Female or TNC-Female or 7mm or 3.5mm-Female
Material	Al	
Size(mm)	A Type:	61.6 x 61.6 x 259.9
	C Type:	61.6 x 93.4 x 297.9
	A-A1:	266.4 x 266.4 x 259.9
	C-A1:	266.4 x 266.4 x 297.9
Net Weight(Kg)	A Type:	0.46 Around
	C Type:	0.58 Around
	A-A1:	1.82 Around
	C-A1:	1.94 Around

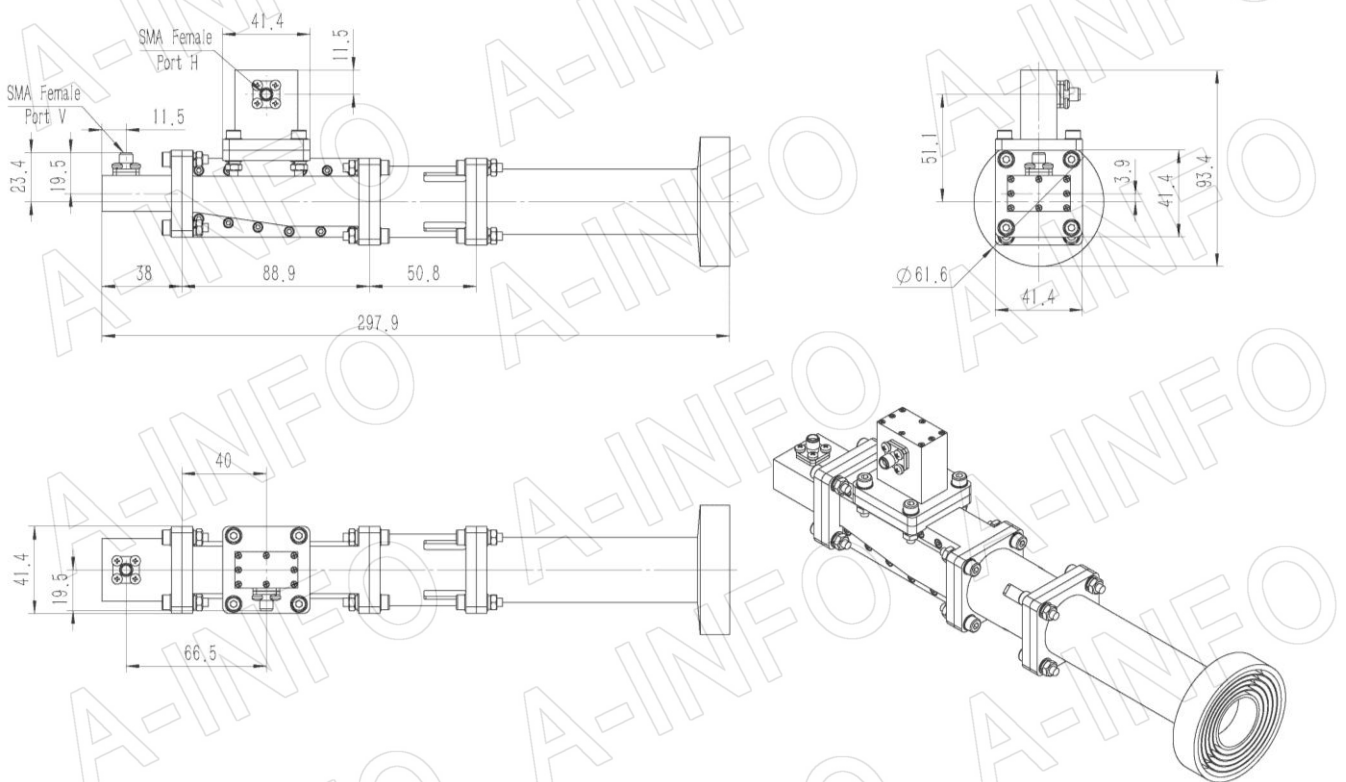
## Outline Drawing (Size: mm)

FBP100 Output (P/N: LB-ACH-90-10-T16-A)



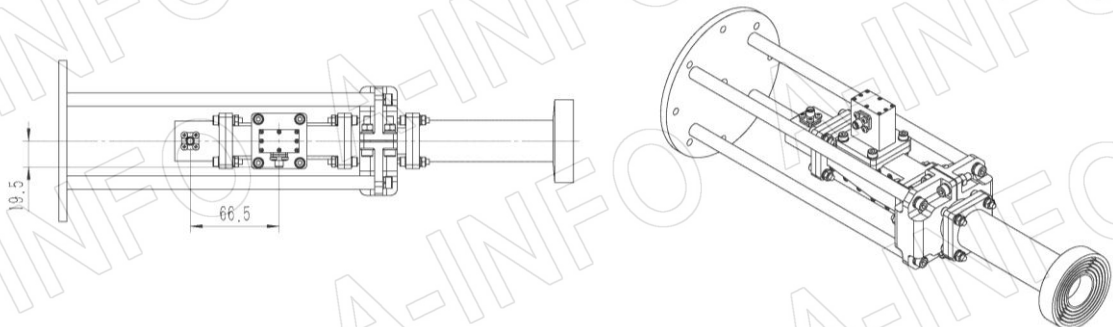
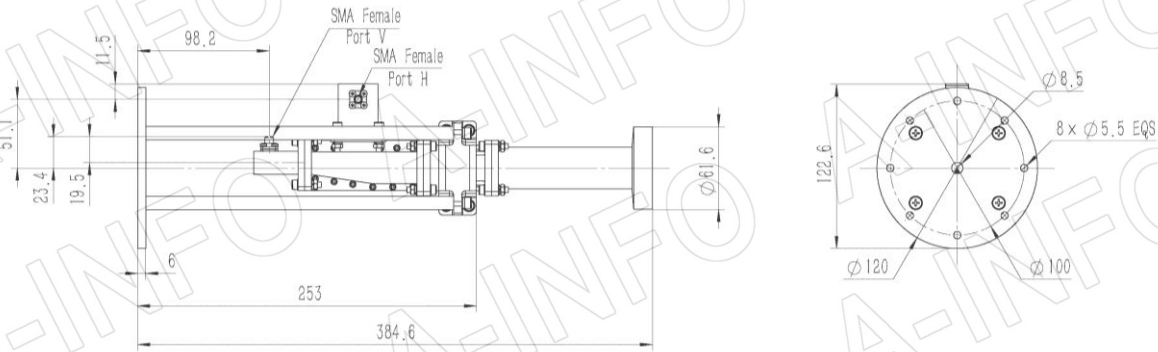
## SMA-Female Output (P/N: LB-ACH-90-10-T16-C-SF)

For N-Female, TNC- Female, 7mm or 3.5mm-Female output outline drawing, please contact A-INFO.



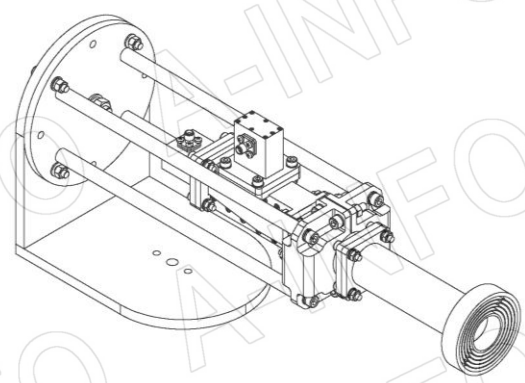
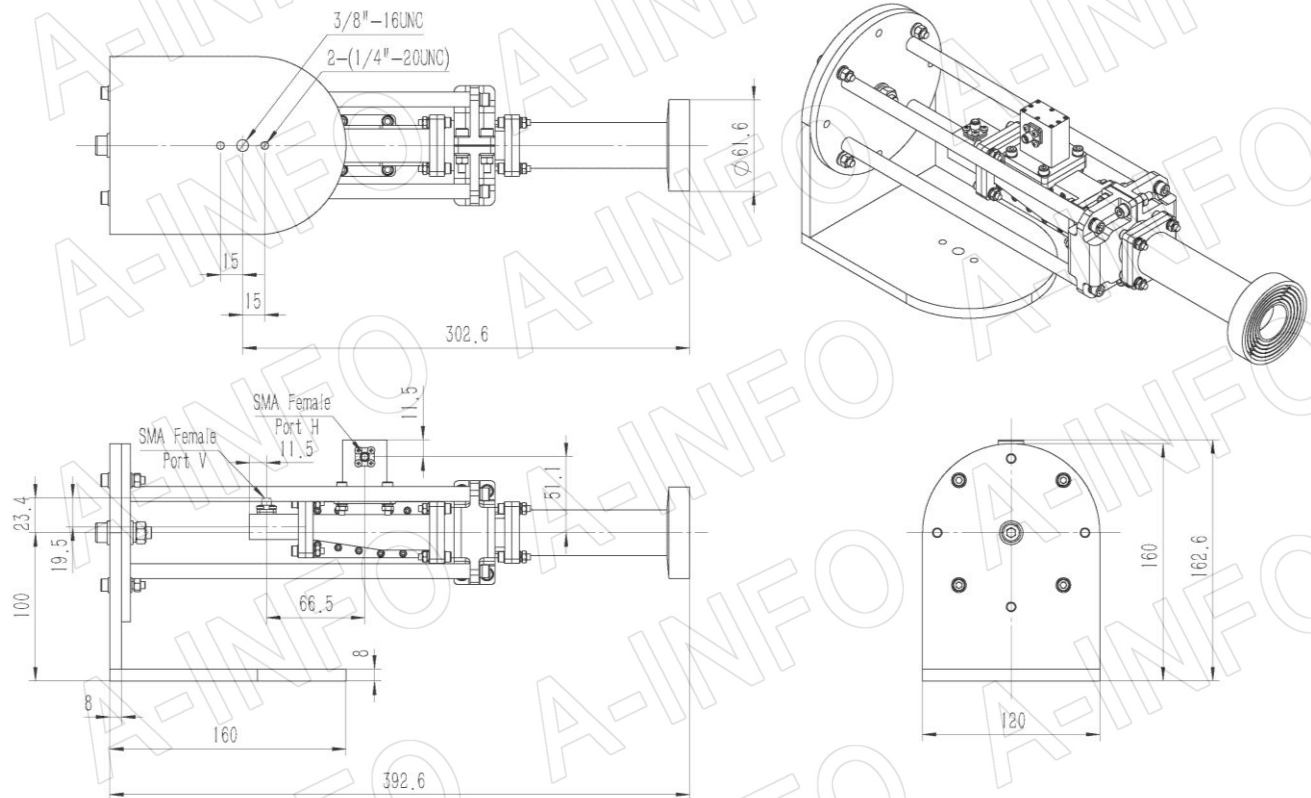
**SMA-Female Output with Round Mounting Bracket (Option, P/N: LB-CNH-90-10-MB)**

For N-Female, TNC- Female, 7mm or 3.5mm-Female output outline drawing, please contact A-INFO.

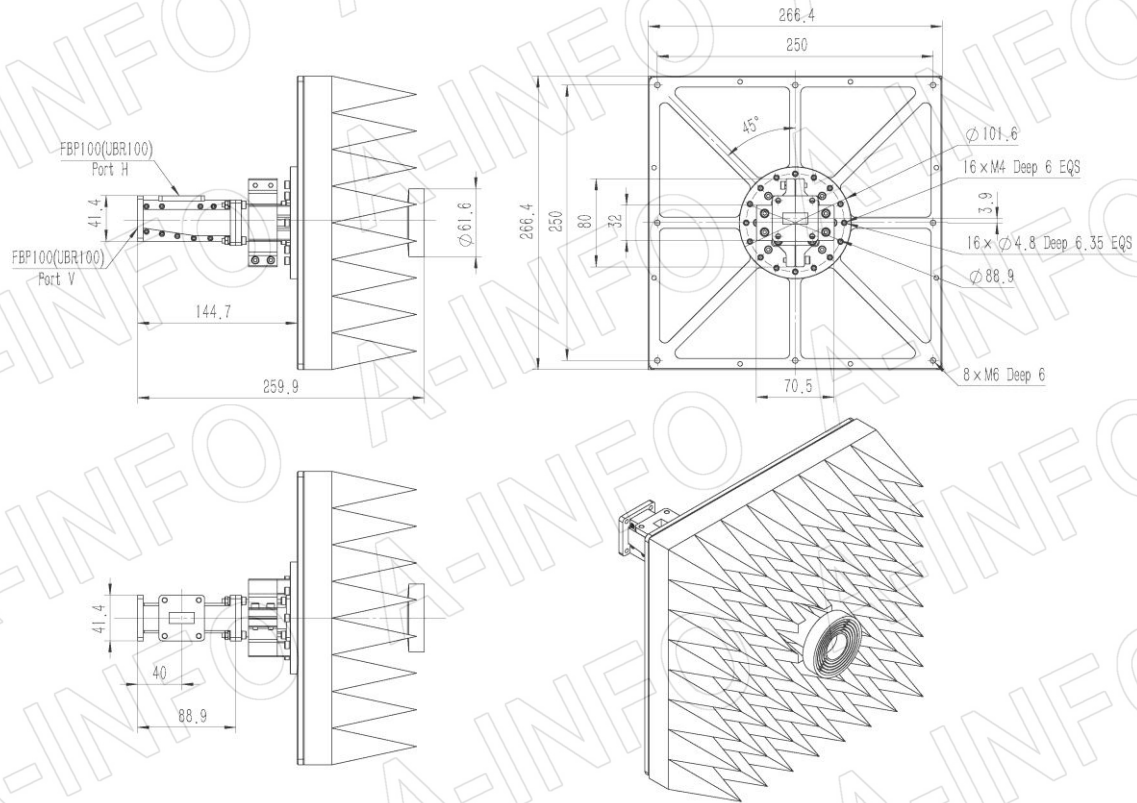


**SMA-Female Output with L Type Mounting Bracket (Option, P/N: LB-CNH-90-10-MBL)**

For N-Female, TNC- Female, 7mm or 3.5mm-Female output outline drawing, please contact A-INFO.

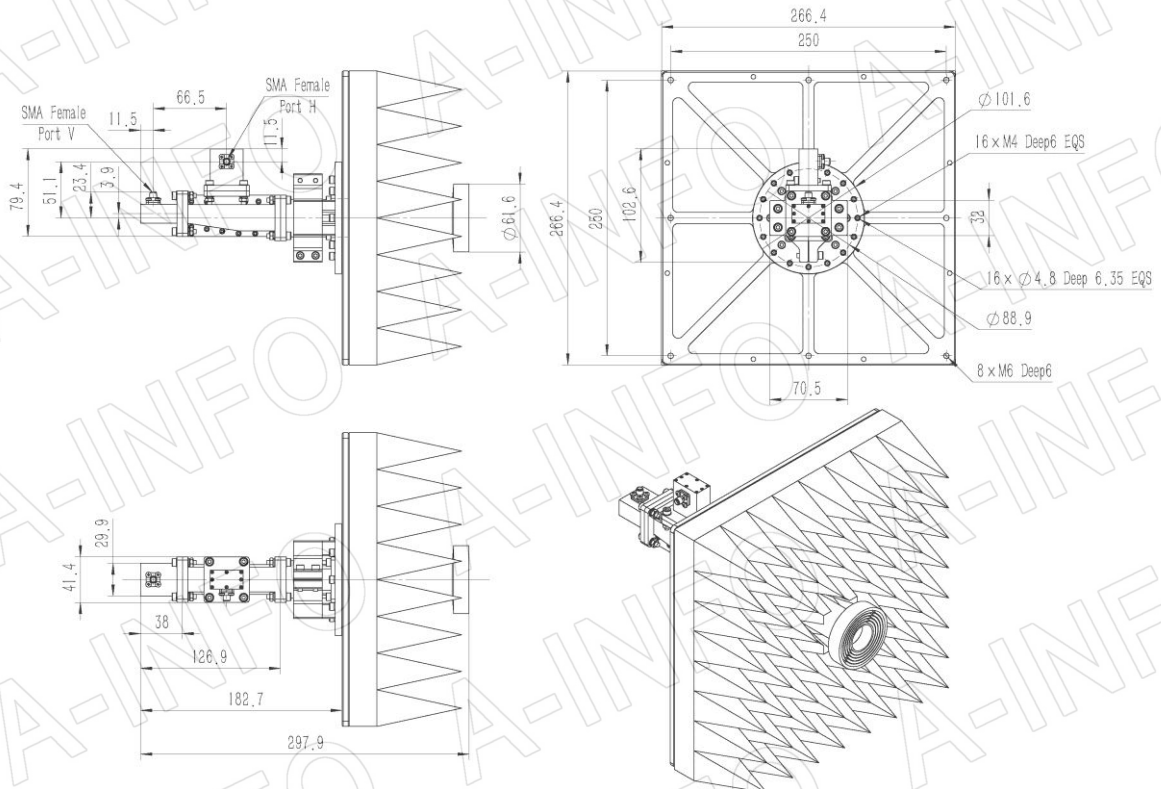


**FBP100 Output, Equipped with Absorber (Option, P/N: LB-ACH-90-10-T16-A-A1)**



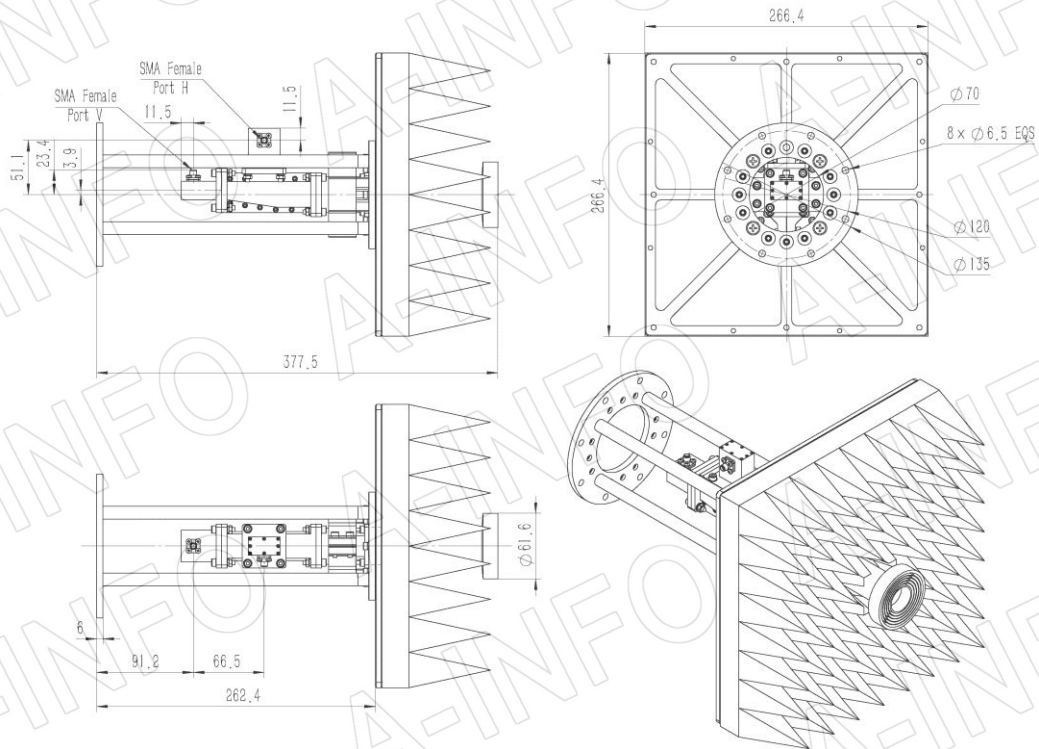
**SMA-Female Output, Equipped with Absorber (Option, P/N: LB-ACH-90-10-T16-C-SF-A1)**

For N-Female, TNC- Female, 7mm or 3.5mm-Female output outline drawing, please contact A-INFO.



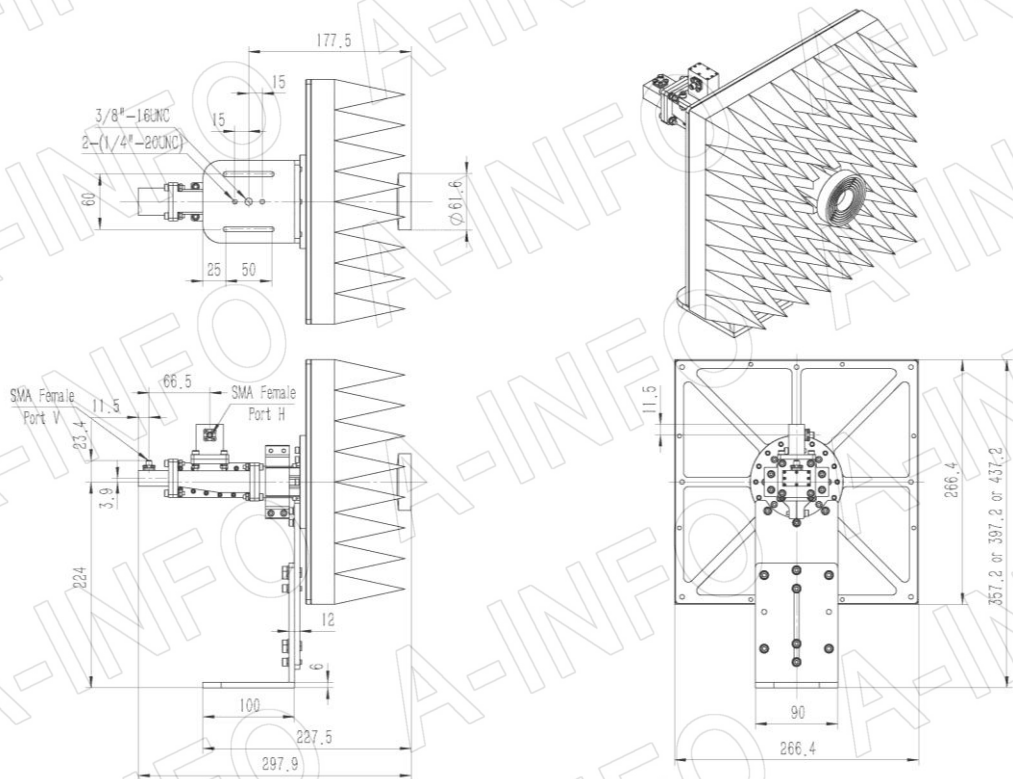
**SMA-Female Output with Round Mounting Bracket & Equipped with Absorber (Option, P/N: EWG-MB40 & LB-ACH-90-10-T16-C-SF-A1)**

For N-Female, TNC- Female, 7mm or 3.5mm-Female output outline drawing, please contact A-INFO.

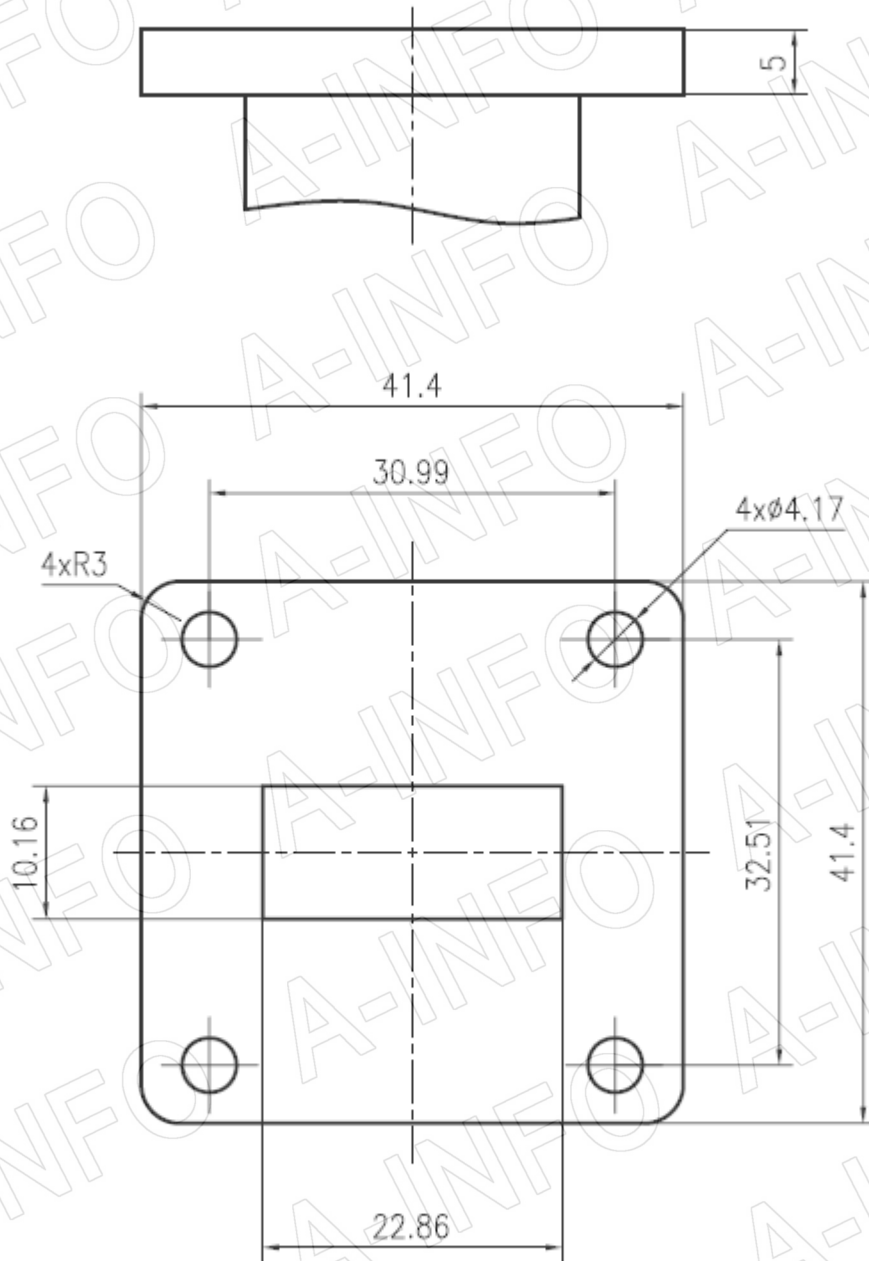


**SMA-Female Output with L Type Mounting Bracket & Equipped with Absorber (Option, P/N: EWG-L40 & LB-ACH-90-10-T16-C-SF-A1)**

For N-Female, TNC- Female, 7mm or 3.5mm-Female output outline drawing, please contact A-INFO.



## Flange Drawing (Size: mm)



**FBP100**

### AINFO Inc.

China(Beijing): Tel: (+86) 10-6266-7326,  
China(Chengdu): Tel: (+86) 28-8519-2786,  
USA : Tel: (+1) 949-639-9688,

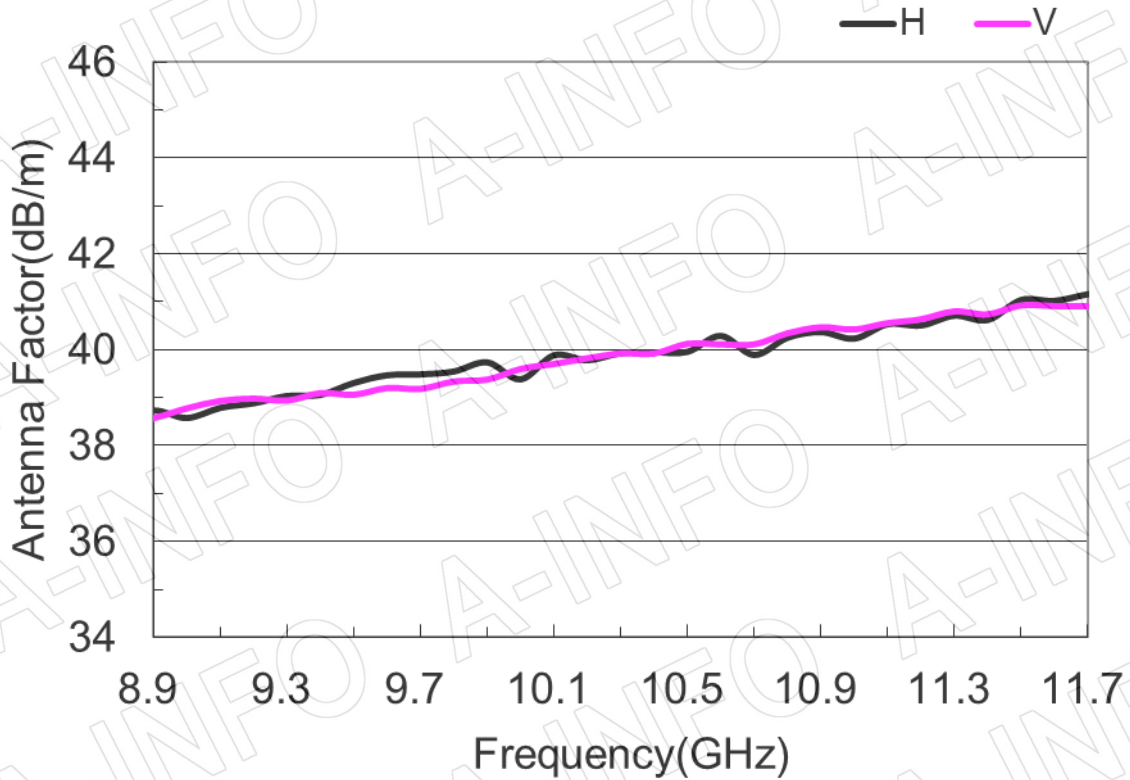
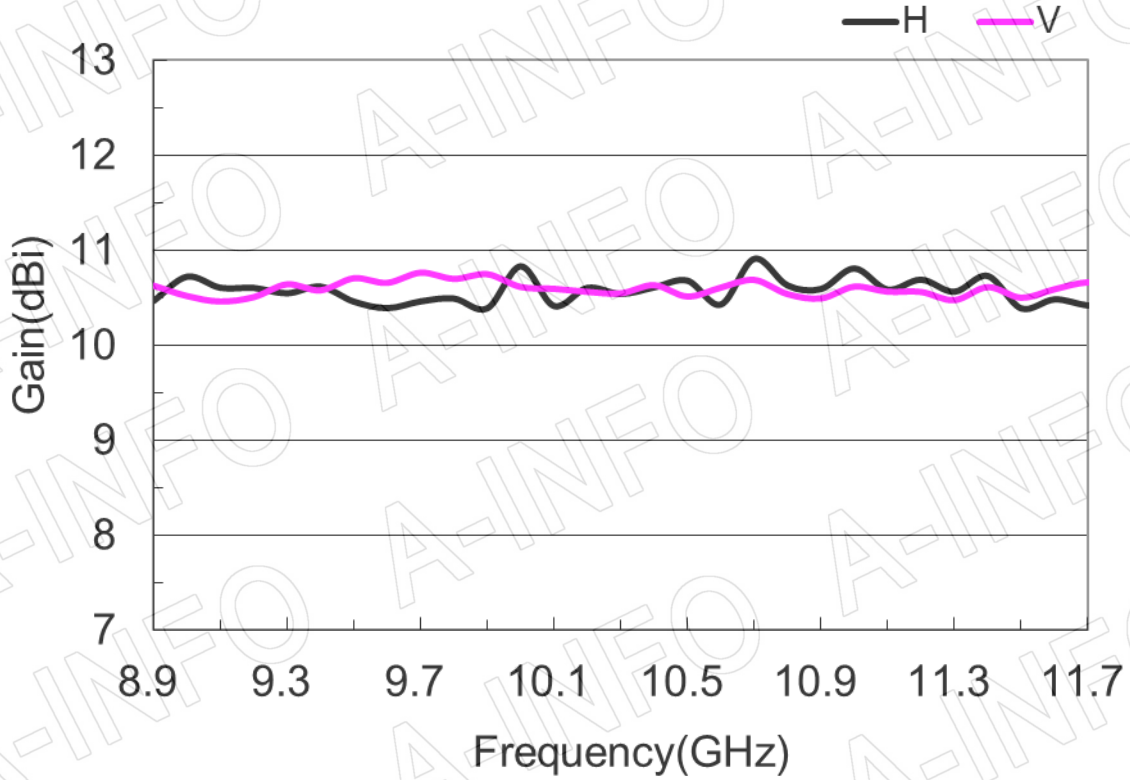
Page 6 of 12

(+86) 10-6266-7327 Fax: (+86) 10-6266-7379  
(+86) 28-8519-3044 Fax: (+86) 28-8519-3068  
(+1) 949-639-9608 Fax: (+1) 949-639-9670

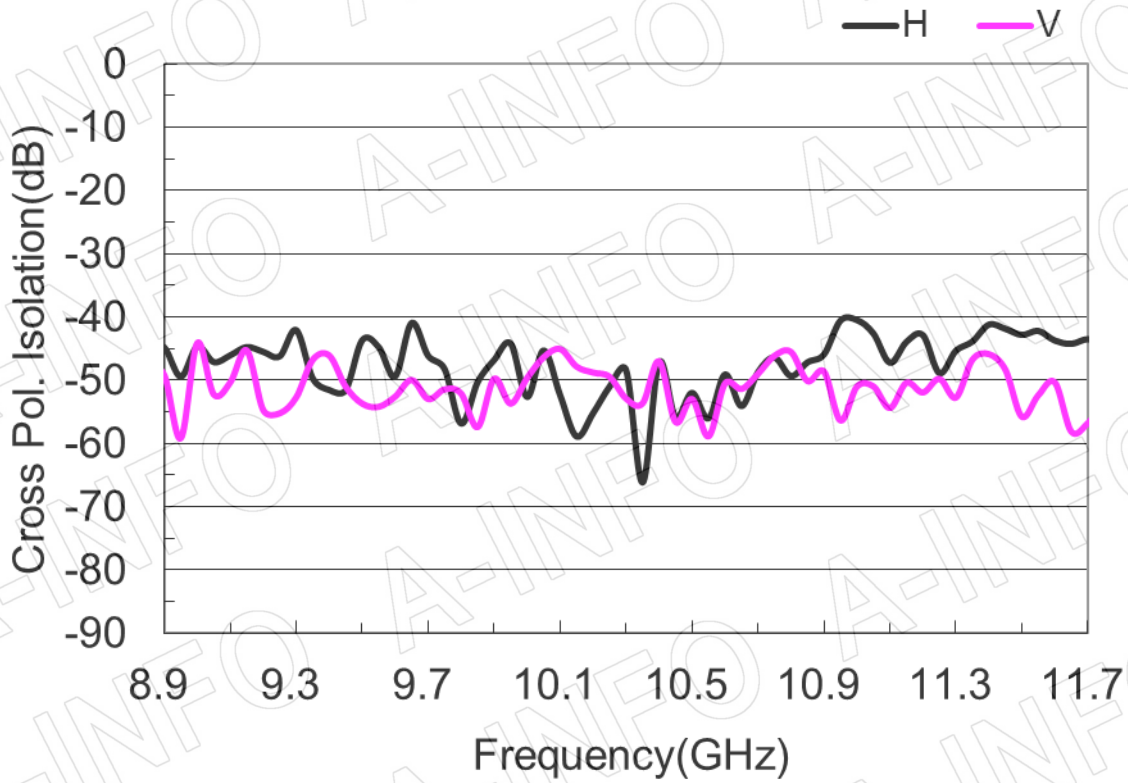
Website: [www.ainfoinc.com](http://www.ainfoinc.com)  
Email: [sales@ainfoinc.com](mailto:sales@ainfoinc.com)

## Test Results

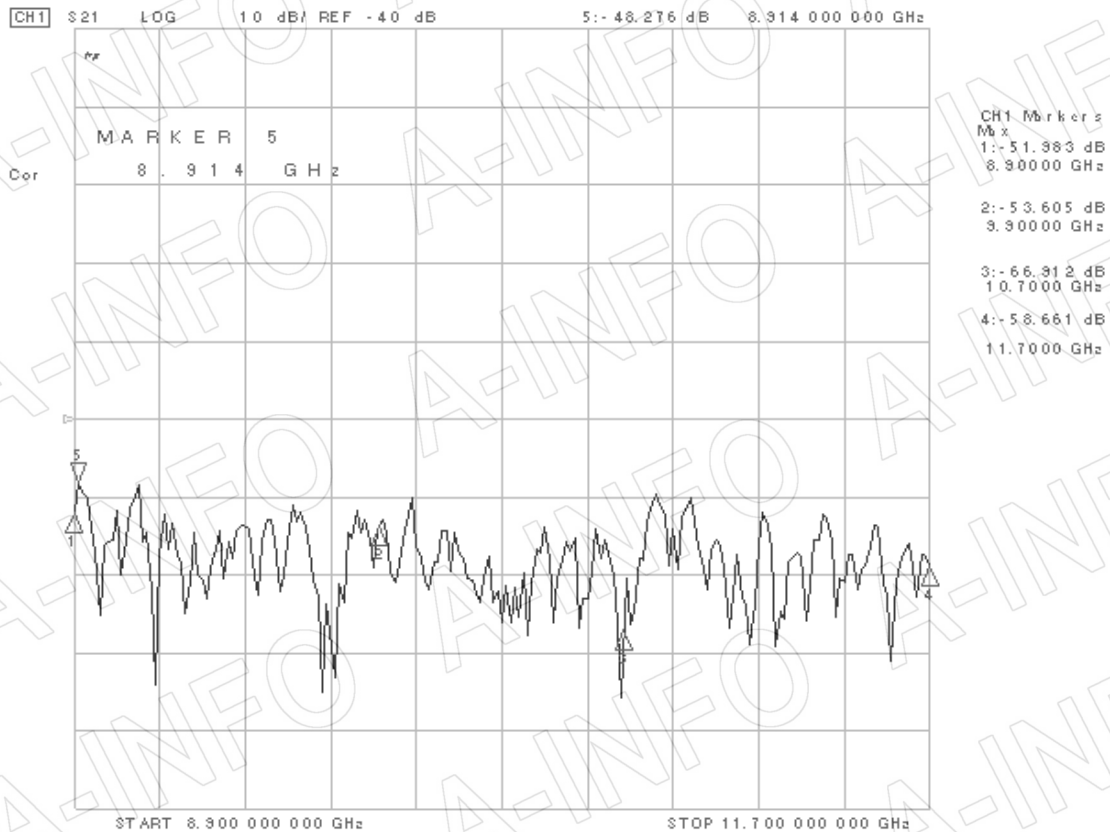
### 1. Gain & Antenna Factor



## 2. Cross Polarization Isolation



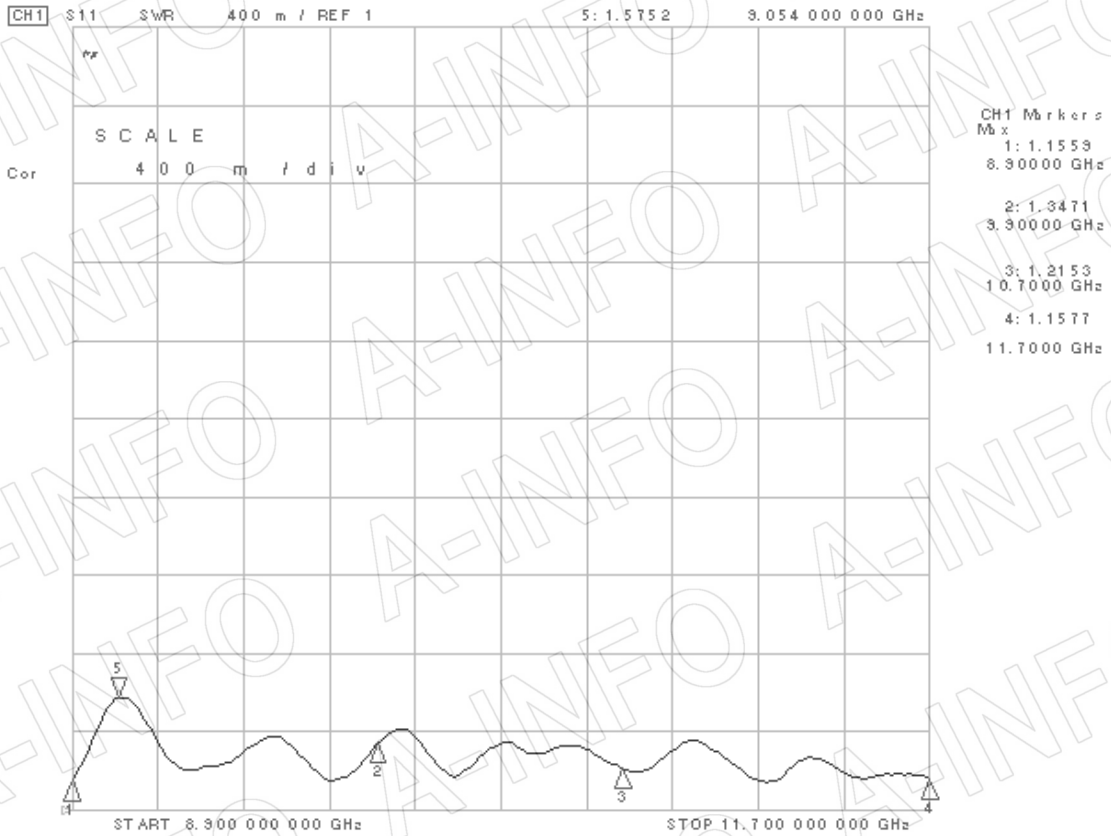
## 3. Port to Port Isolation



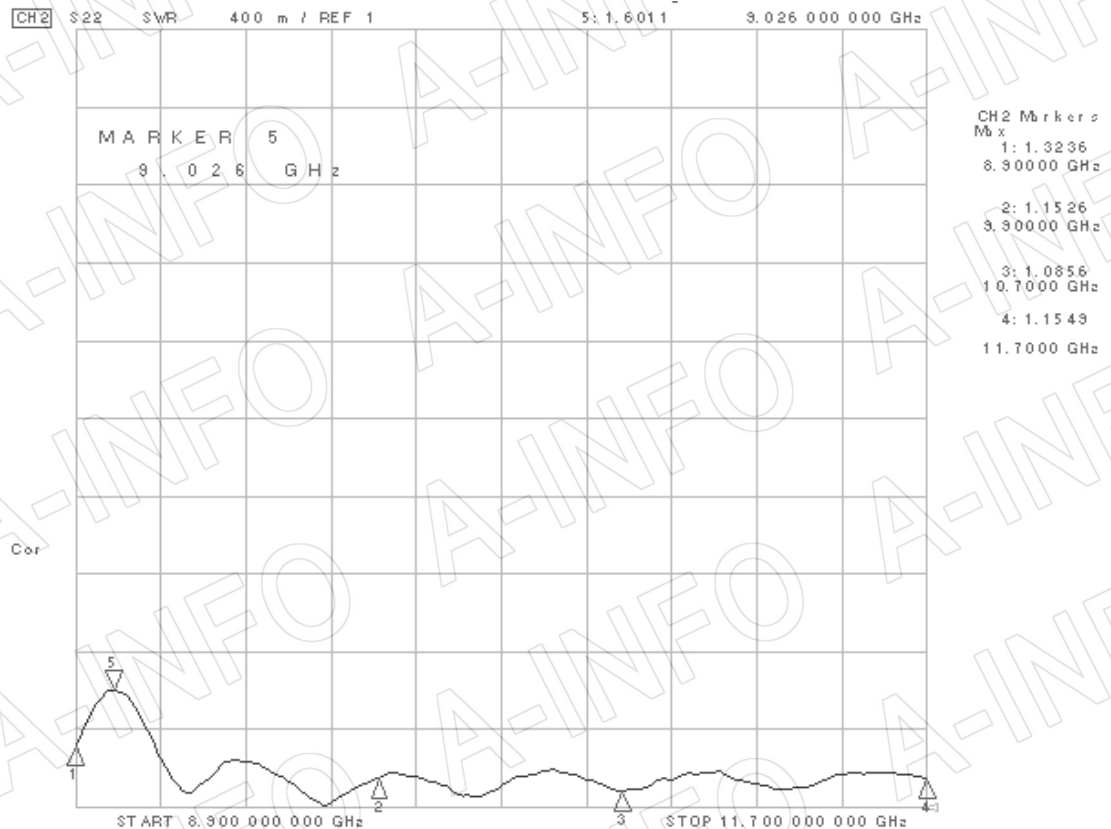


## 4. VSWR\_A Type

### Port-H

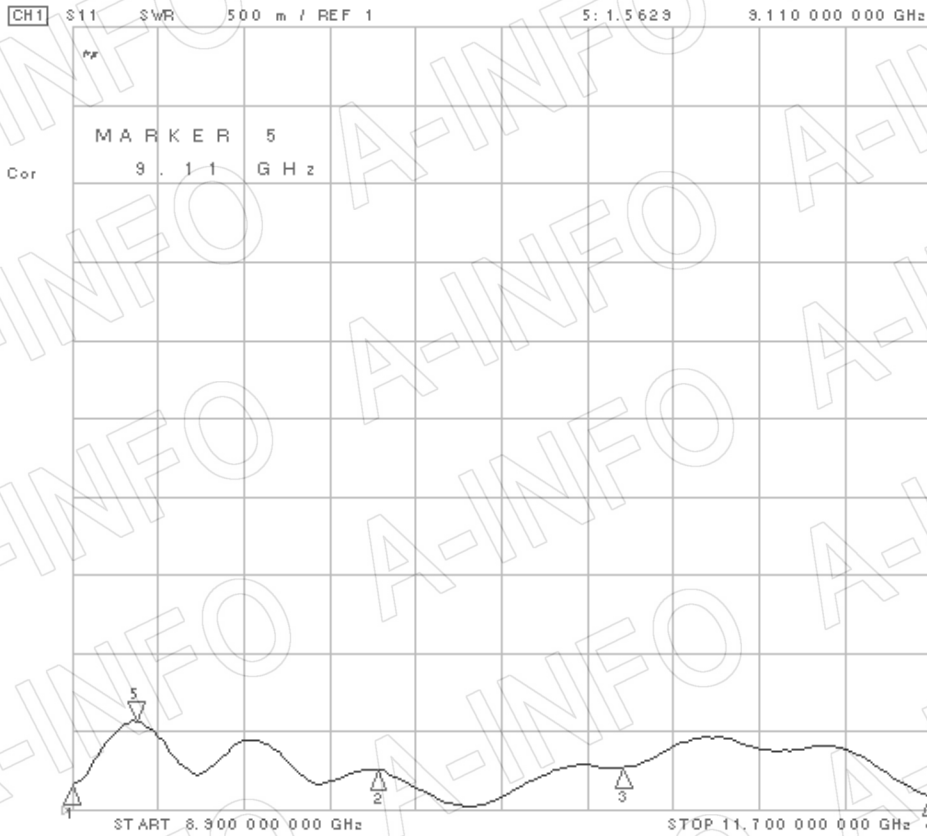


### Port-V

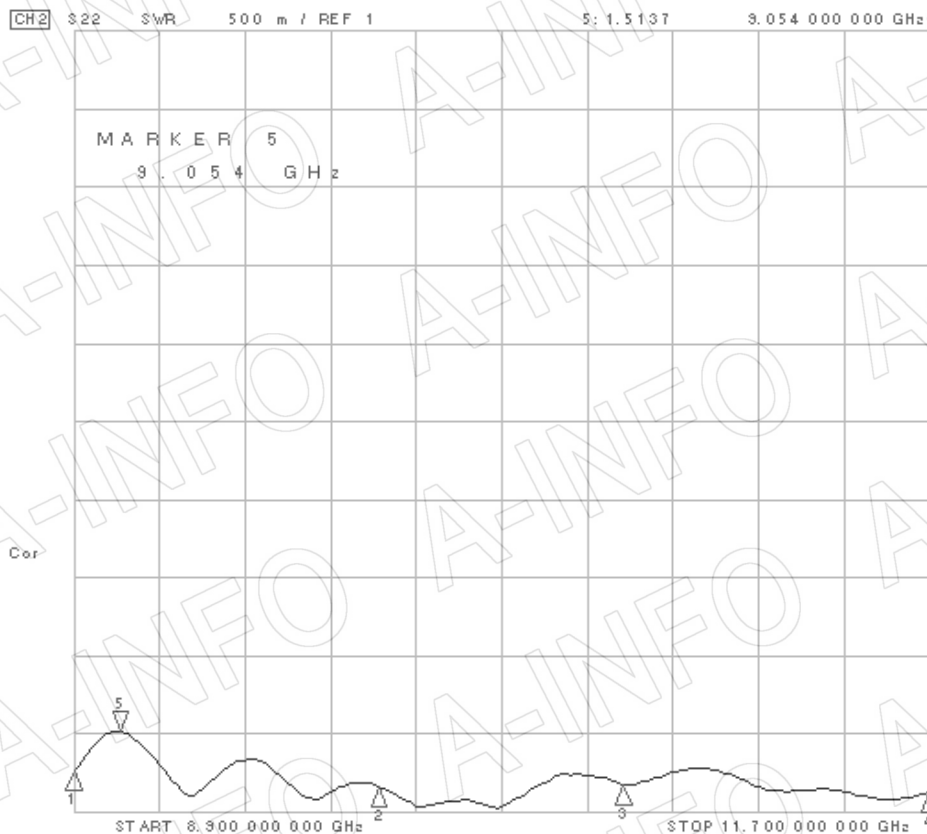


### VSWR\_C Type

#### Port-H



#### Port-V



## 5. Pattern

